



# EV-EV/T - EO-EO/T

30 50 80 100

LIKE ELECTRICITY-FIRED



## Hardiness and durability without compromise

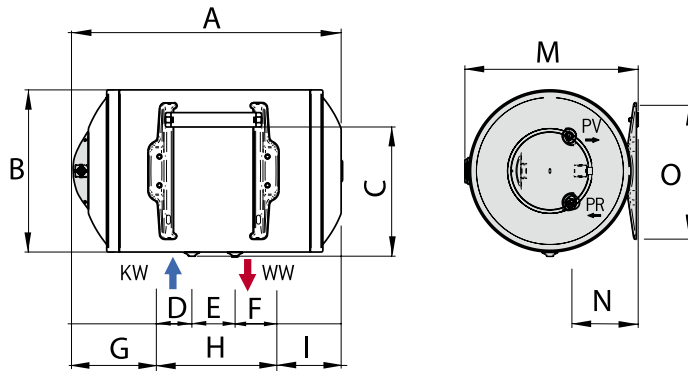
The new LIKE line of electrically heated storage water heaters, manufactured with innovative technology and with first class materials to guarantee continuing durability and performance.

- Boiler: in addition to the increased thickness of the sheet metal used, depending on the model the appliances may come with boiler glazed by way of synthetic resins or opal glass.
- Magnesium Anode, size varying depending on vessel capacity, for better protection of the boiler from electrochemical corrosion.
- Insulation ensured by high-density closed-cell foam polyurethane, eco-friendly due to absence of CFCs damaging to the environment. Ensures minimum heat loss, giving significant energy savings; this makes the appliances more resistant to possible damage in transit.
- Electric heating element copper plated, thus facilitating high and fast transmission of heat.
- Stainless steel hot water outlet pipe which may be removed to permit cleaning of limescale deposits.
- Safety. Bipolar safety thermostat which intervenes where there is an abnormal rise in temperature, and indicator light which signals correct functioning.
- Accompanying safety/anti-reflux valve adjusted to 8 bar and pack of dielectric couplers 1/2" MF. The latter offer protection from corrosion from electrolytic action present in the water network.
- Thermo-electric water heater model EV/T: Thermo-electric water heaters also belong to this line and are equipped with a coil inside the boiler which, connected to the central network of the heating system like a normal radiator, heats the water contained in the appliance, thus facilitating further energy savings.
- Thermal connections on both sides of the vertical appliances, facilitating practical and quick installation.
- Horizontal water heaters model EO-EO/T come with left heating element connections.

	Capacity	Power	Voltage	Heating time $\Delta t=50^{\circ}\text{C}$	Max operating temperature	Max operating press.	Net weight	Hydraulic connections
	l	kW	V~	min	$^{\circ}\text{C}$	Mpa	kg	KW-WW
EV 30	30	1,2	230	92	75	0,8	12,3	R ½"
EV 50	50	1,2	230	153	75	0,8	15,1	R ½"
EV 80	80	1,2	230	245	75	0,8	21,8	R ½"
EV 100	100	1,2	230	306	75	0,8	25,5	R ½"
EO 50	50	1,2	230	153	75	0,8	15,2	R ½"
EO 80	80	1,2	230	245	75	0,8	22,0	R ½"
EO 100	100	1,2	230	306	75	0,8	25,7	R ½"
EV/T 50	50	1,2	230	153	75	0,8	16,5	R ½"
EV/T 80	80	1,2	230	245	75	0,8	23,5	R ½"
EV/T 100	100	1,2	230	306	75	0,8	27,5	R ½"
EO/T 80	80	1,2	230	245	75	0,8	26,5	R ½"
EO/T 100	100	1,2	230	306	75	0,8	31,5	R ½"

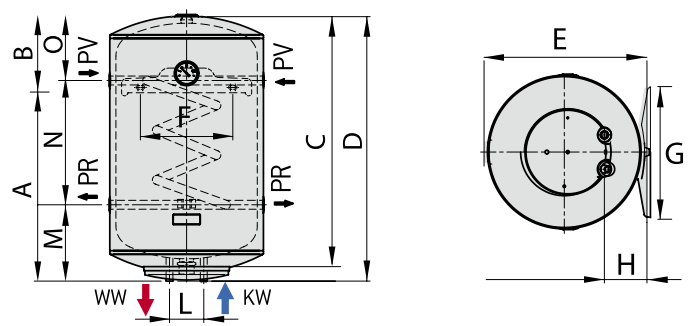
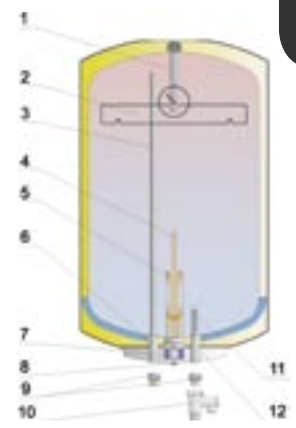


LIKE ELECTRICITY-FIRED



SERIES EO - EO/T

	A	B	C	D	E	H	L	M	N	Hydraulic connections	Coil connections
	mm	mm	mm	mm	mm	mm	mm	mm	mm	KW-WW	PV-PR
EO 50	545	450	355	300	120	175	245	480	-	R 1/2"	-
EO 80	780	450	355	345	120	305	245	470	-	R 1/2"	-
EO 100	930	450	355	420	120	456	245	470	-	R 1/2"	-
EO/T 80	755	450	355	345,5	120	250	245	480	200	R 1/2"	Rp 1/2"
EO/T 100	905	450	355	420,5	120	400	245	480	200	R 1/2"	Rp 1/2"



- 1 MAGNESIUM ANODE
- 2 SUPPORT BRACKETS
- 3 EXTRACTABLE STAINLESS STEEL PIPE
- 4 TEMPERATURE SENSOR
- 5 HEATING ELEMENT
- 6 HOT WATER OUTLET THERMOSTAT
- 7 THERMOSTAT
- 8 INDICATOR LIGHT
- 9 DIELECTRIC JOINTS
- 10 SAFETY VALVE
- 11 COLD WATER DIFFUSER HEAD
- 12 COLD WATER INTAKE

SERIES EV - EV/T

	A	B	C	D	E	F	G	H	I	L	M	N	O	Hydraulic connections	Coil connections
	mm	mm	mm	mm	mm	mm	mm	mm	mm	mm	mm	mm	mm	KW-WW	PV-PR
EV 30	345	174	492	519	358	180	285	85	380	100	-	-	-	R 1/2"	-
EV 50	320	230	510	550	450	270	340	124	466	100	-	-	-	R 1/2"	-
EV 80	550	230	740	780	450	270	340	124	466	100	-	-	-	R 1/2"	-
EV100	700	230	890	930	450	270	340	124	466	100	-	-	-	R 1/2"	-
EV/T 50	320	230	510	550	450	270	340	124	466	100	228	132	190	R 1/2"	Rp 1/2"
EV/T 80	550	230	740	780	450	270	340	124	466	100	228	363	189	R 1/2"	Rp 1/2"
EV/T 100	700	230	890	930	450	270	340	124	466	100	228	363	339	R 1/2"	Rp 1/2"